

2.5" GENERAL PURPOSE LOW PRESSURE GAUGE

PRESSURE GAUGES

REOTEMP's Series PC25N2/S2 brass gauges are designed for use in low pressure applications with dry gasses that are compatible with copper alloy. Examples include: exhaust systems and blowers.



PC25N2



PC25S2



Custom Logo

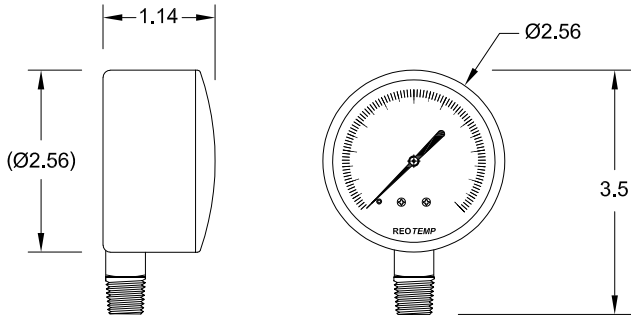
FEATURES / BENEFITS

- Sensitive Diaphragm/Capsule Mechanism
- Black Steel or Stainless Steel Case
- Easy-Access Zero Reset on Dial
- Economical Design for Non-Severe Service



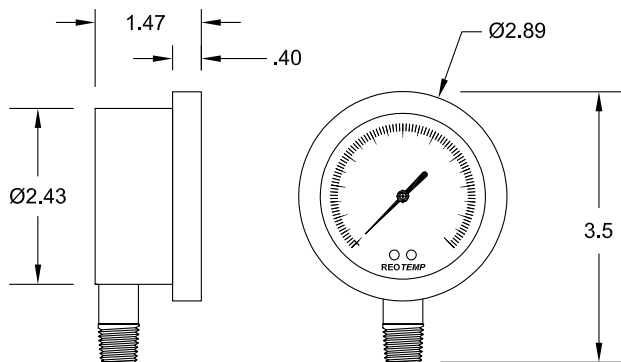
SPECIFICATIONS

Accuracy	3 - 2 - 3%, ASME Grade B
Ambient Limits	-40°F/140°F
Process Limits	-40°F/140°F
Process Limits with Diaphragm Seal	Cannot be mounted to a diaphragm seal.
Wetted Materials	Capsule: Copper Alloy Socket: Copper Alloy
Lens	Plastic (Standard on "N" case, optional on "S" case) Glass (Standard on "S" case, not available on "N" case)
Other Materials	Case: Black Painted Steel or 304SS Ring: Snap-In Plastic or 304SS Dial: White Aluminum, Black Letters Case-to-Socket: Screw Connection
Fillable	No
Restrictor Screw	No
Maximum Working Pressure	Stable = 100% Momentary = 110% of scale
Weight	PC25N = .25 lbs, PC25S = .4 lbs



PC25N2

*dimensions in inches



PC25S2

*dimensions in inches

2.5" GENERAL PURPOSE LOW PRESSURE GAUGE



Visit reotemp.com

- ✓ Check Stock
- ✓ Get Price
- ✓ Configure Part #
- ✓ Download PDF Data Sheets

HOW TO ORDER: Choose options to build a part number. For example: **PC25N2A4P53-D-P-TS**

PC25	N	2	A	4	P53	-D	-P	-TS
DIAL SIZE	CASE	CAPSULE & SOCKET	MOUNT TYPE	CONNECTION	RANGE CODE	CASE FILL	LENS	OPTIONS
PC25 = 2.5"	N = Black Steel with Snap-In Plastic Window, Zero Correction S = 304 SS Case & Bezel with Removable Bayonet, Zero Correction on Dial	2 = Copper Alloy	A = Bottom *B = Bottom/Rear Flange C = Center Back *D = Center Back "U" Clamp *E = Center Back/ Front Flange	4 = 1/4" NPT	Common Ranges P51 = 0-15 in H ₂ O P52 = 0-30 in H ₂ O P53 = 0-60 in H ₂ O P54 = 0-100 in H ₂ O P55 = 0-160 in H ₂ O P56 = 0-200 in H ₂ O I55 = 0-5 psi Available Ranges ■ 15" to 300" Water Column ■ Gauge Pressure, Vacuum, or Compound Standard Units ■ in H ₂ O Available Units ■ kPa ■ inHg ■ mbar ■ mmHg ■ psi ■ oz/in ² ■ mmH ₂ O ■ & more For Additional Range Codes See Page 46	-D = Dry Case is not fillable.	-P = Plastic ¹ -G = Glass ²	-TS = Stainless Steel Tag -C3 = 3 pt. Calibration Certificate

*Non-standard configuration
¹Standard on "N" Case
²Standard for "S" Case but Not Available on "N" Case

PRESSURE GAUGE RANGES AND CODES

PRESSURE GAUGES

SPECIAL RANGE TYPES

Receiver Ranges			Refrigerant Ranges			Tank Level Ranges	
Code	Element	Dial Range	Code	Dial Range	Refrigerant	Code	Range
P60	3-15 psi	0-100%	N06	-30inHg to 160 psi	Ammonia	F14	0-24ft H ₂ O
P61	3-15 psi	0-10 sq rt	R06	-30inHg to 160 psi	R134A	F15	0-30ft H ₂ O
P62	3-15 psi	0-100% & 0-10 sq.rt.	R06A	-30inHg to 160 psi	R22	F15C	0-40ft H ₂ O
			R06C	-30inHg to 160 psi	R404A	F16	0-60ft H ₂ O
			N07	-30inHg to 200 psi	Ammonia	F165	0-100ft H ₂ O
			N08	-30inHg to 300 psi	Ammonia		

LOW PRESSURE RANGES (PC SERIES ONLY)

Low Pressure Ranges									
inH ₂ O		oz/in ²		inH ₂ O & oz/in ²		mbar		psi	
Code	Range	Code	Range	Code	Range	Code	Range	Code	Range
P50	0-10 inH ₂ O	Z50	0-6 oz/in ²	Q50Z	0-10 inH ₂ O & 0-6 oz/in ²				
P51	0-15	Z51	0-8			M51	0-40 mbar		
P49	0-20	Z49	0-10	Q49C	0-20 & 0-12				
P515	0-25	Z52E	0-15						
P52	0-30			Q52N	0-30 & 0-18	M521	0-70	I52	0-1 psi
P525	0-40	Z52	0-20	Q525W	0-40 & 0-24	M525	0-100		
P53	0-60	Z53	0-30	Q53	0-60 & 0-35	M53F	0-150	I53	0-2
P54	0-100	Z54	0-60	Q54B	0-100 & 0-60	M54	0-250	I54	0-3
P55	0-160					M55	0-400	I55	0-5
P56	0-200	Z56	0-100	Q56C	0-200 & 0-115	M56	0-500	I56	0-7
Vacuum Ranges									
P88	-10-0 inH ₂ O	Z88	-6-0 oz/in ²	Q88	-10/0 inH ₂ O & -6/0 oz/in ²				
P90	-30-0	Z90	-20-0	Q90	-30/0 & -18/0	M905	-100-0 mbar	I90	-1-0 psi
P91	-60-0	Z91	-30-0	Q91	-60/0 & -35/0	M94	-200-0	I91	-2-0
P92	-100-0	Z92	-60-0	Q92	-100/0 & -60/0	M95	-400-0		
Compound Ranges									
P7A	-5/0/5 inH ₂ O	Z7A	-3/0/3 oz/in ²			M71	-20/0/20 mbar		
P70	-10/0/10			Q70C	-10/0/10 inH ₂ O & -6/0/6 oz/in ²	M72E	-30/0/30		
P71	-15/0/15					M72	-40/0/40		
P72	-20/0/20	Z72	-10/0/10	Q72C	-20/0/20 & -12/0/12			I73	-1-0-1 psi
P73	-30/0/30			Q73C	-30/0/30 & -18/0/18	M735	-100/0/100	I74	-2-0-2
P74	-60/0/60	Z745	-30/0/30					I55U	-3/0/3
P75	-100/0/100			Q75B	-100/0/100 & -60/0/60			P14C	-5/0/5

DIFFERENTIAL PRESSURE RANGES (DP GAUGES ONLY)

psid		inH ₂ O _d		bard		mbard		kPad	
Code	Range	Code	Range	Code	Range	Code	Range	Code	Range
PD1	0-1 psid	ID10	0-10 inH ₂ O _d	BD1	0-1 bard	MD40	0-40 mbard	AD2.5	0-2.5 kPad
PD3	0-3	ID20	0-20	BD1.6	0-1.6	MD60	0-60	AD6	0-6
PD5	0-5	ID30	0-30	BD2.5	0-2.5	MD100	0-100	AD10	0-10
PD10	0-10	ID50	0-50	BD4	0-4	MD160	0-160	AD25	0-25
PD20	0-20	ID100	0-100	BD6	0-6	MD250	0-250	AD40	0-40
PD50	0-50	ID150	0-150	BD7	0-7	MD400	0-400	AD100	0-100
PD100	0-100	ID200	0-200	BD11	0-11	MD600	0-600	AD250	0-250
PD200	0-200	ID400	0-400	BD55	0-55	MD1000	0-1000	AD700	0-700
PD6000	0-6000			BD400	0-400				

PRESSURE GAUGE OPTIONS

Part #	Description	Heavy-Duty Industrial Gauges				Process Gauges			Stainless Steel Case Industrial Gauges			Commercial Gauges		Low Pressure Capsule Gauges			Test Gauges
		PR25	PR35	PR40	PR60	PT45P	PT45T	PI45	PM	PG**C	PG**S	PD15/20/25	PD35/40	PC25N	PC25S	PC40/45/60	PL60/45
CASE FILL OPTIONS																	
-G	Glycerin Filled Case	✓	✓	✓	✓	✓	✓	N/A	✓	✓	✓	N/A	N/A	N/A	N/A	N/A	N/A
-W	Glycerin Water Filled Case (65/35)	✓	✓	✓	✓	✓	✓	N/A	✓	✓	✓	N/A	N/A	N/A	N/A	N/A	N/A
-S	Silicone Filled Case	✓	✓	✓	✓	✓	✓	N/A	✓	N/A	✓	N/A	N/A	N/A	N/A	N/A	N/A
-T	Teflon-coated Movement (No case fill)	✓	✓	✓	✓	✓	✓	✓	N/A	N/A	N/A	N/A	N/A	N/A	✓	✓	✓
-I	Inert Case Fill	✓	✓	✓	✓	✓	✓	N/A	N/A	N/A	N/A	N/A	N/A	N/A	N/A	N/A	N/A
LENS OPTIONS																	
-P	Plastic Lens	STD	✓	✓	✓	✓	✓	STD	STD	STD	✓	✓	MQ	✓	✓	✓	✓
-T	Tempered Safety Glass Lens	✓	STD	STD	STD	STD	STD	N/A	N/A	N/A	STD	N/A	N/A	N/A	STD	STD	STD
-S	Laminated Safety Glass Lens	✓	✓	✓	✓	✓	✓	N/A	N/A	N/A	✓	N/A	N/A	N/A	✓	✓	✓
-G	Plain Glass	N/A	N/A	N/A	N/A	N/A	N/A	N/A	MQ	MQ	N/A	MQ	STD	N/A	N/A	N/A	N/A
POINTER OPTIONS																	
-RP	Red Pointer	✓	✓	✓	✓	✓	✓	N/A	N/A	✓	N/A	N/A	N/A	✓	✓	✓	✓
-MP	Min/Max Pointer (Drag Hand)†	✓	N/A	✓	✓	✓	N/A	N/A	N/A	N/A	✓	N/A	N/A	N/A	N/A	N/A	N/A
-MQ	Min/Max Pointer (Tamper-proof)†	✓	N/A	✓	✓	✓	N/A	N/A	N/A	N/A	✓	N/A	N/A	N/A	N/A	N/A	N/A
-RH	Red Set Hand (Manual Adjustment)	N/A	N/A	N/A	N/A	✓	N/A	N/A	N/A	N/A	N/A	N/A	N/A	N/A	N/A	N/A	N/A
-EC	Electrical Contacts	N/A	N/A	✓	N/A	✓	N/A	N/A	N/A	N/A	N/A	N/A	N/A	N/A	N/A	N/A	N/A
DIAL OPTIONS																	
-CL	Custom Logo Dial	✓	✓	✓	✓	✓	✓	MQ	MQ	✓	MQ	MQ	MQ	✓	✓	✓	✓
-HV	Hi-Vis Dial	✓	✓	✓	✓	✓	✓	N/A	N/A	✓	N/A	N/A	N/A	✓	✓	✓	N/A
-CB	Color Band	✓	✓	✓	✓	✓	✓	MQ	MQ	✓	MQ	MQ	MQ	✓	✓	✓	N/A
-CP	Color Pie	✓	✓	✓	✓	✓	✓	MQ	MQ	✓	MQ	MQ	MQ	✓	✓	✓	N/A
-DM	Dial Marking	✓	✓	✓	✓	✓	✓	MQ	MQ	✓	MQ	MQ	✓	✓	✓	✓	✓
-LP	Removable Lens Protector	N/A	N/A	N/A	N/A	✓	✓	✓	N/A	N/A	N/A	N/A	N/A	N/A	N/A	N/A	N/A
CALIBRATION OPTIONS																	
-R1	Upgrade to 1% FS Accuracy	✓	✓	STD	STD	N/A	N/A	N/A	N/A	N/A	✓	N/A	N/A	N/A	N/A	N/A	N/A
-R2	Upgrade to 0.5% FS Accuracy	N/A	N/A	✓	✓	STD	STD	STD	N/A	N/A	N/A	N/A	N/A	N/A	N/A	N/A	N/A
-R5	Upgrade to 1.5% FS Accuracy	✓	✓	N/A	N/A	N/A	N/A	N/A	N/A	N/A	N/A	N/A	N/A	✓	✓	✓	N/A
-C1	1pt. NIST Calibration Cert	✓	✓	✓	✓	✓	✓	✓	✓	✓	✓	✓	✓	✓	✓	✓	N/A
-C3	3pt. NIST Calibration Cert	✓	✓	✓	✓	✓	✓	✓	✓	✓	✓	✓	✓	✓	✓	✓	N/A
-C5	5pt. NIST Calibration Cert	✓	✓	✓	✓	✓	✓	✓	✓	✓	✓	✓	✓	✓	✓	✓	N/A
-CX	10pt. NIST Calibration Cert	✓	✓	✓	✓	✓	✓	✓	✓	✓	✓	✓	✓	✓	✓	✓	STD
-CS	Calibration Sticker (No logged pts.)	✓	✓	✓	✓	✓	✓	✓	✓	✓	✓	✓	✓	✓	✓	✓	N/A
TAG OPTION																	
-TS	Stainless Steel Tag (1-10 Characters)	✓	✓	✓	✓	✓	✓	✓	✓	✓	✓	✓	✓	✓	✓	✓	✓
-TM	Stainless Steel Tag (11-80 characters)	✓	✓	✓	✓	✓	✓	✓	✓	✓	✓	✓	✓	✓	✓	✓	✓
-TP	Paper Tag	✓	✓	✓	✓	✓	✓	✓	✓	✓	✓	✓	✓	✓	✓	✓	✓
CERTIFICATION OPTIONS																	
-CM	General Material Conformance	✓	✓	✓	✓	✓	✓	✓	✓	✓	✓	✓	✓	✓	✓	✓	✓
-NC	Certificate of NACE Compliance	✓	✓	✓	✓	✓	✓	N/A	N/A	N/A	N/A	N/A	N/A	✓	✓	✓	✓
-PM	Positive Material Identification Certificate (PMI)	✓	✓	✓	✓	✓	✓	✓	✓	✓	✓	✓	✓	✓	✓	✓	✓
-HT	Hydrostatic Test per ASME B31.3 (5 min)	✓	✓	✓	✓	✓	✓	✓	✓	✓	✓	✓	✓	✓	✓	✓	✓
-LC	Argon Leak Check Certificate	✓	✓	✓	✓	✓	✓	✓	✓	✓	✓	✓	✓	✓	✓	✓	✓
CLEANING OPTIONS																	
-DG	Degreased - Wiped Clean of Oils, Shipped in Sealed Bag	✓	✓	✓	✓	✓	✓	N/A	N/A	✓	N/A	N/A	✓	✓	✓	✓	✓
-OX	Cleaned for Oxygen Service per ASME B40.1	✓	✓	✓	✓	✓	✓	MQ	MQ	✓	MQ	MQ	✓	✓	✓	✓	✓
-OY	Cleaned for Oxygen Service per MIL-STD-1330D	✓	✓	✓	✓	✓	✓	N/A	N/A	✓	N/A	N/A	✓	✓	✓	✓	✓
OTHER OPTIONS																	
-NR	No Restrictor Screw	✓	✓	✓	✓	✓	✓	N/A	N/A	N/A	N/A	N/A	N/A	N/A	N/A	✓	N/A
-FI	Dry Gauge Shipped with Fill Plug Installed	N/A	N/A	N/A	N/A	✓	N/A	N/A	N/A	N/A	N/A	N/A	N/A	N/A	N/A	N/A	N/A

PRESSURE GAUGES

✓	Indicates that the option is available with the model.	N/A	Indicates the option is not available with this model.
STD	Indicates standard options with no additional cost.	MQ	Minimum order quantity applies.

†This option is only available with a plastic lens.