

ENISA

INDUSTRIAL PRESSURE GAUGE

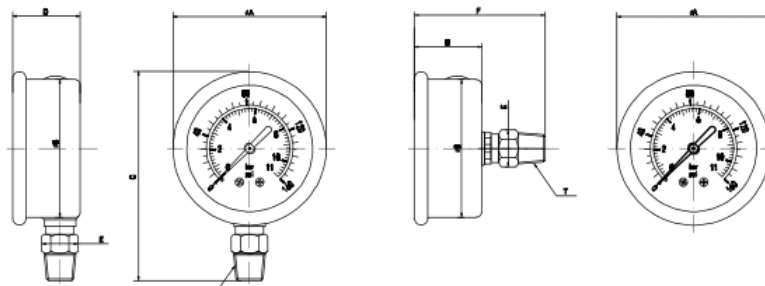


Features

- Nominal size: 1.5" (40mm), 2.0" (50mm), 2.5" (63mm), 3" (75mm), 4.0" (100mm);
- Case: polished or matte stainless steel;
- Ring: Crimped type, Stainless steel;
- Process connection: 1/8", 1/4", 3/8", 1/2" optional;
- Thread: NPT, BSP, BSPT optional;
- Pressure element: Copper alloy;
- Movement: Copper alloy;
- Dial: Aluminum, dial scale can be customized;
- Pointer: Aluminum, black or white;
- Window: Polycarbonate or tempered glass;
- Accuracy class: 1.6%, 2.5%;
- Scale ranges: vacuum to 1000 bar (15000 psi);
- Filling liquid: Glycerine or silicone;
- Pressure limitation: Steady: 3/4 x full scale value; Fluctuating: 2/3 x full scale value;
Short time: Full scale value;
- Permissible temperature: Ambient: -20 ... +60°C; Medium: +60°C maximum.



Installation Data



size	mm							
	A	B	C	D	E	F	G	T
40	47.0	41.0	66.0	26.0	Hex11.0	50.0	27.0	1/8"
50	57.5	51.5	81.0	30.0	Hex14.0	58.5	30.0	1/8"
63	68.0	61.5	91.5	30.0	Hex14.0	58.5	30.0	1/4"
75	82.0	74.5	111.5	32.0	Hex17.0	64.5	30.0	3/8"
100	108.5	99.0	137.0	36.0	Hex22.0	69.0	36.0	1/2"

MODEL NUMBER

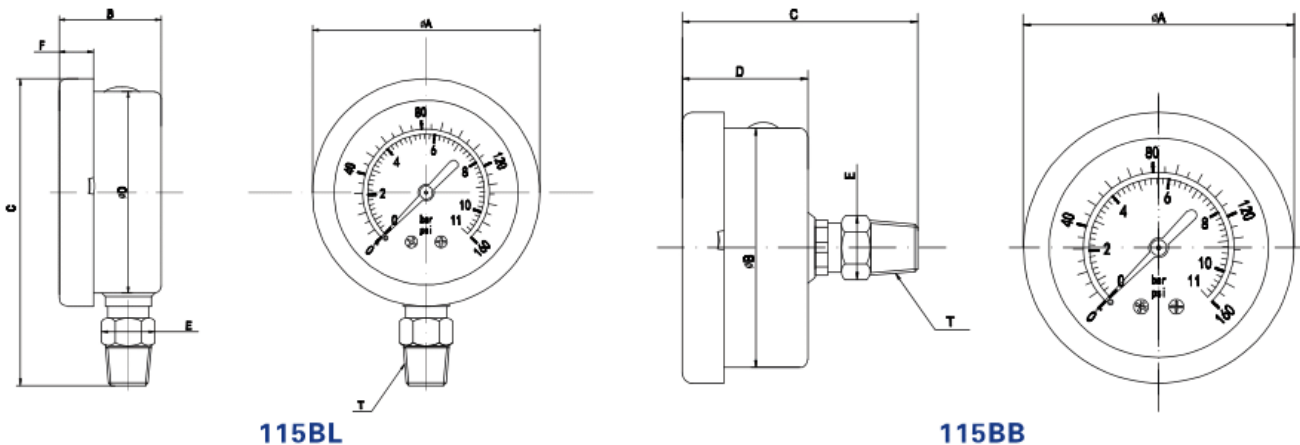
Part No.	Dial Size	Connection/Thread	Mount type	Pressure Unit	Range Optional
115AL	40	1/8, 1/4", BSP, NPT, BSPT or customized	bottom	bar, psi, kg/cm ² , MPa, kPa	vacuum to 1000bar
115AL	50	1/8, 1/4", BSP, NPT, BSPT or customized	bottom	bar, psi, kg/cm ² , MPa, kPa	vacuum to 1000bar
115AL	63	1/8, 1/4", BSP, NPT, BSPT or customized	bottom	bar, psi, kg/cm ² , MPa, kPa	vacuum to 1000bar
115AL	75	1/4", 3/8", 1/2, BSP, NPT, BSPT or customized	bottom	bar, psi, kg/cm ² , MPa, kPa	vacuum to 1000bar
115AL	100	1/4", 3/8", 1/2, BSP, NPT, BSPT or customized	bottom	bar, psi, kg/cm ² , MPa, kPa	vacuum to 1000bar
115AB	40	1/8, 1/4", BSP, NPT, BSPT or customized	back	bar, psi, kg/cm ² , MPa, kPa	vacuum to 1000bar
115AB	50	1/8, 1/4", BSP, NPT, BSPT or customized	back	bar, psi, kg/cm ² , MPa, kPa	vacuum to 1000bar
115AB	63	1/8, 1/4", BSP, NPT, BSPT or customized	back	bar, psi, kg/cm ² , MPa, kPa	vacuum to 1000bar
115AB	75	1/4", 3/8", 1/2, BSP, NPT, BSPT or customized	back	bar, psi, kg/cm ² , MPa, kPa	vacuum to 1000bar
115AB	100	1/4", 3/8", 1/2, BSP, NPT, BSPT or customized	back	bar, psi, kg/cm ² , MPa, kPa	vacuum to 1000bar

Features

- Nominal size: 2.5" (63mm), 4.0" (100mm);
- Case: polished or matte stainless steel;
- Ring: Bayonet type, Stainless steel;
- Process connection: 1/8" ,1/4" ,3/8" ,1/2" optional;
- Thread: NPT, BSP, BSPT optional;
- Pressure element: Copper alloy;
- Movement: Copper alloy;
- Dial: Aluminum, dial scale can be customized;
- Pointer: Aluminum, black or white;
- Window: Polycarbonate or tempered glass;
- Accuracy class: 1.6%, 2.5%;
- Scale ranges: vacuum to 1000 bar (15000 psi);
- Filling liquid: Glycerine or silicone;
- Pressure limitation: Steady: 3/4 x full scale value; Fluctuating: 2/3 x full scale value;
Short time: Full scale value;
- Permissible temperature: Ambient: -20 ... +60°C; Medium: +60°C maximum.



Installation Data

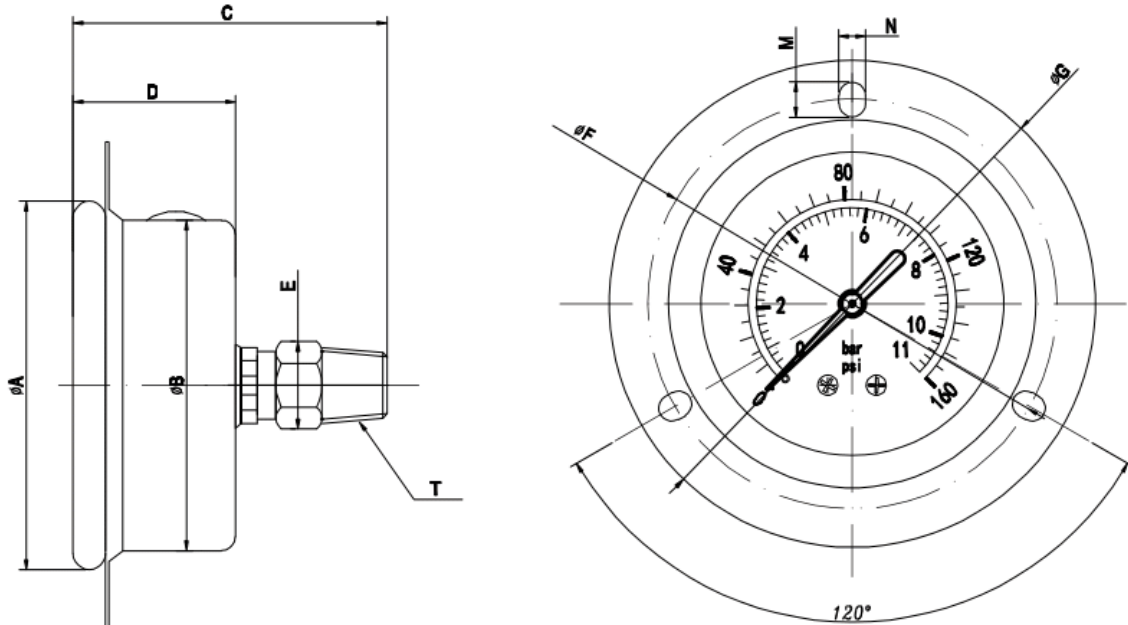


mm size	A	B	C	D	E	F	T
63	69.0	31.0	92.0	61.5	Hex14.0	10.5	1/4"
100	111.0	39.0	141.0	99.0	Hex22.0	14.5	1/2"

mm size	A	B	C	D	E	T
63	69.0	61.5	59.0	31.0	Hex14.0	1/4"
100	111.0	99.0	72.0	38.5	Hex22.0	1/2"

MODEL NUMBER

Part No.	Dial Size	Connection/Thread	Mount type	Pressure Unit	Range Optional
115BL	63	1/8, 1/4", BSP, NPT, BSPT or customized	bottom	bar, psi, kg/cm ² , MPa, kPa	vacuum to 1000bar
115BL	100	1/4", 3/8", 1/2", BSP, NPT, BSPT or customized	bottom	bar, psi, kg/cm ² , MPa, kPa	vacuum to 1000bar
115BB	63	1/8, 1/4", BSP, NPT, BSPT or customized	back	bar, psi, kg/cm ² , MPa, kPa	vacuum to 1000bar
115BB	100	1/4", 3/8", 1/2", BSP, NPT, BSPT or customized	back	bar, psi, kg/cm ² , MPa, kPa	vacuum to 1000bar



115AB-F

size mm	A	B	C	D	E	F	G	M	N	T
40	47.0	41.0	50.0	27.0	Hex11.0	53.0	64.0	3.4	3.4	1/8"
50	57.5	51.5	58.0	30.0	Hex14.0	64.5	72.5	5.4	3.9	1/4"
63	68.0	61.5	58.5	30.0	Hex14.0	75.5	89.0	6.5	4.5	1/4"
75	82.0	74.5	64.5	30.0	Hex17.0	89.5	104.0	6.5	4.5	3/8"
100	108.5	99.0	69.5	35.5	Hex22.0	117.0	132.0	7.7	5.2	1/2"

MODEL NUMBER

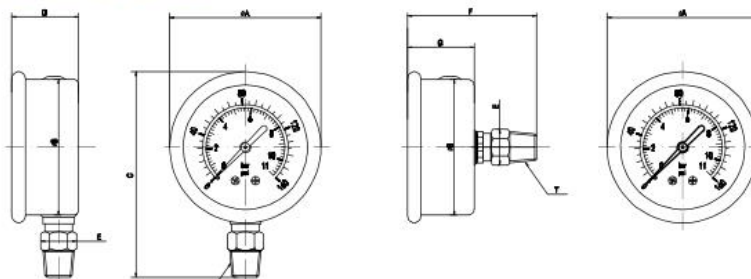
Part No.	Dial Size	Connection/Thread	Mount type	Pressure Unit	Range Optional
115AL-F	63	1/8, 1/4", BSP, NPT, BSPT or customized	Bottom with back flange	bar, psi, kg/cm ² , MPa, kPa	vaccum to 1000bar
115AL-F	75	1/4", 3/8", 1/2, BSP, NPT, BSPT or customized	Bottom with back flange	bar, psi, kg/cm ² , MPa, kPa	vaccum to 1000bar
115AL-F	100	1/4", 3/8", 1/2, BSP, NPT, BSPT or customized	Bottom with back flange	bar, psi, kg/cm ² , MPa, kPa	vaccum to 1000bar
115AB-F	40	1/8, 1/4", BSP, NPT, BSPT or customized	Back with front flange	bar, psi, kg/cm ² , MPa, kPa	vaccum to 1000bar
115AB-F	50	1/8, 1/4", BSP, NPT, BSPT or customized	Back with front flange	bar, psi, kg/cm ² , MPa, kPa	vaccum to 1000bar
115AB-F	63	1/8, 1/4", BSP, NPT, BSPT or customized	Back with front flange	bar, psi, kg/cm ² , MPa, kPa	vaccum to 1000bar
115AB-F	75	1/4", 3/8", 1/2, BSP, NPT, BSPT or customized	Back with front flange	bar, psi, kg/cm ² , MPa, kPa	vaccum to 1000bar
115AB-F	100	1/4", 3/8", 1/2, BSP, NPT, BSPT or customized	Back with front flange	bar, psi, kg/cm ² , MPa, kPa	vaccum to 1000bar

Features

- Nominal size: 1.5" (40mm), 2.0" (50mm), 2.5" (63mm), 3" (75mm), 4.0" (100mm);
- Case: polished or matte stainless steel;
- Ring: Crimped type, Stainless steel;
- Process connection: 1/8" , 1/4" , 3/8" , 1/2" optional;
- Thread: NPT, BSP, BSPT optional;
- Pressure element: Stainless steel;
- Movement: Stainless steel;
- Dial: Aluminum, dial scale can be customized;
- Pointer: Aluminum, black or white;
- Window: Polycarbonate or tempered glass;
- Accuracy class: 1.6%, 2.5%;
- Scale ranges: vacuum to 1000 bar (15000 psi);
- Filling liquid: Glycerine or silicone;
- Pressure limitation: Steady: 3/4 x full scale value; Fluctuating: 2/3 x full scale value;
Short time: Full scale value;
- Permissible temperature: Ambient: -20 ... +60°C; Medium: +60°C maximum.



Installation Data



116AL

116AB

size mm	A	B	C	D	E	F	G	T
40	47.0	41.0	66.0	26.0	Hex11.0	50.0	27.0	1/8"
50	57.5	51.5	81.0	30.0	Hex14.0	58.5	30.0	1/8"
63	68.0	61.5	91.5	30.0	Hex14.0	58.5	30.0	1/4"
75	82.0	74.5	111.5	32.0	Hex17.0	64.5	30.0	3/8"
100	108.5	99.0	137.0	36.0	Hex22.0	69.0	36.0	1/2"

MODEL NUMBER

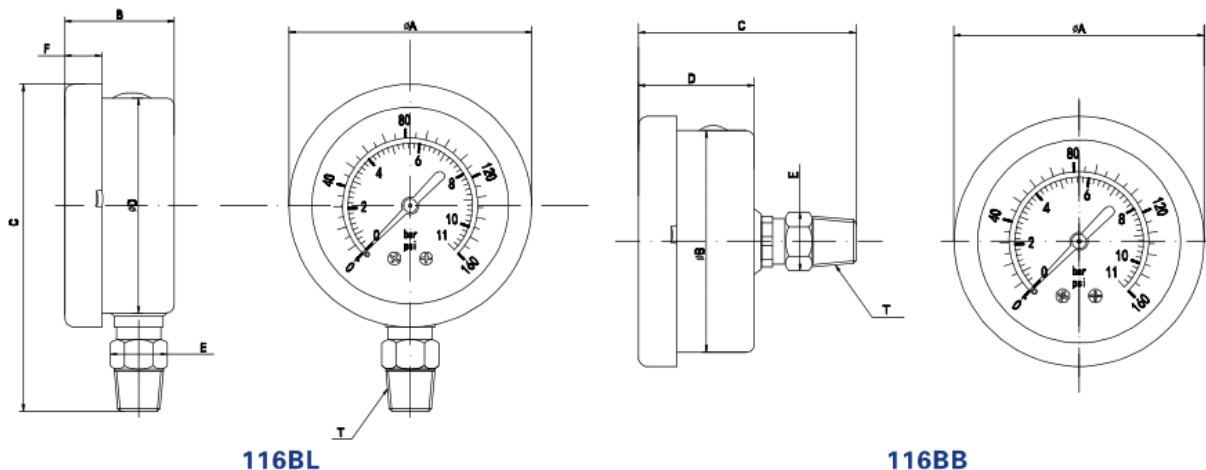
Part No.	Dial Size	Connection/Thread	Mount type	Pressure Unit	Range Optional
116AL	40	1/8, 1/4", BSP, NPT, BSPT or customized	bottom	bar, psi, kg/cm2, MPa, kPa	vacuum to 1000bar
116AL	50	1/8, 1/4", BSP, NPT, BSPT or customized	bottom	bar, psi, kg/cm2, MPa, kPa	vacuum to 1000bar
116AL	63	1/8, 1/4", BSP, NPT, BSPT or customized	bottom	bar, psi, kg/cm2, MPa, kPa	vacuum to 1000bar
116AL	75	1/4", 3/8", 1/2, BSP, NPT, BSPT or customized	bottom	bar, psi, kg/cm2, MPa, kPa	vacuum to 1000bar
116AL	100	1/4", 3/8", 1/2, BSP, NPT, BSPT or customized	bottom	bar, psi, kg/cm2, MPa, kPa	vacuum to 1000bar
116AB	40	1/8, 1/4", BSP, NPT, BSPT or customized	back	bar, psi, kg/cm2, MPa, kPa	vacuum to 1000bar
116AB	50	1/8, 1/4", BSP, NPT, BSPT or customized	back	bar, psi, kg/cm2, MPa, kPa	vacuum to 1000bar
116AB	63	1/8, 1/4", BSP, NPT, BSPT or customized	back	bar, psi, kg/cm2, MPa, kPa	vacuum to 1000bar
116AB	75	1/4", 3/8", 1/2, BSP, NPT, BSPT or customized	back	bar, psi, kg/cm2, MPa, kPa	vacuum to 1000bar
116AB	100	1/4", 3/8", 1/2, BSP, NPT, BSPT or customized	back	bar, psi, kg/cm2, MPa, kPa	vacuum to 1000bar

Features

- Nominal size: 2.5" (63mm), 4.0" (100mm);
- Case: polished or matte stainless steel;
- Ring: Bayonet type, Stainless steel;
- Process connection: 1/8" , 1/4" , 3/8" , 1/2" optional;
- Thread: NPT, BSP, BSPT optional;
- Pressure element: Stainless steel;
- Movement: Stainless steel;
- Dial: Aluminum, dial scale can be customized;
- Pointer: Aluminum, black or white;
- Window: Polycarbonate or tempered glass;
- Accuracy class: 1.6%, 2.5%;
- Scale ranges: vacuum to 1000 bar (15000 psi);
- Filling liquid: Glycerine or silicone;
- Pressure limitation: Steady: 3/4 x full scale value; Fluctuating: 2/3 x full scale value;
Short time: Full scale value;
- Permissible temperature: Ambient: -20 ... +60°C ; Medium: +60°C maximum.



Installation Data



mm size	A	B	C	D	E	F	T
63	69.0	31.5	92.0	61.5	Hex14.0	10.5	1/4"
100	111.0	39.0	141.0	99.0	Hex22.0	14.5	1/2"

mm size	A	B	C	D	E	T
63	69.0	61.5	59.0	31.0	Hex14.0	1/4"
100	111.0	99.0	72.0	38.5	Hex22.0	1/2"

MODEL NUMBER

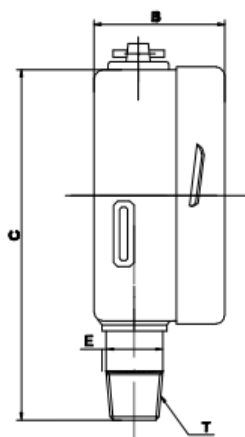
Part No.	Dial Size	Connection/Thread	Mount type	Pressure Unit	Range Optional
116BL	63	1/8, 1/4", BSP, NPT, BSPT or customized	bottom	bar, psi, kg/cm ² , MPa, kPa	vacuum to 1000bar
116BL	100	1/4", 3/8", 1/2, BSP, NPT, BSPT or customized	bottom	bar, psi, kg/cm ² , MPa, kPa	vacuum to 1000bar
116BB	63	1/8, 1/4", BSP, NPT, BSPT or customized	back	bar, psi, kg/cm ² , MPa, kPa	vacuum to 1000bar
116BB	100	1/4", 3/8", 1/2, BSP, NPT, BSPT or customized	back	bar, psi, kg/cm ² , MPa, kPa	vacuum to 1000bar

Features

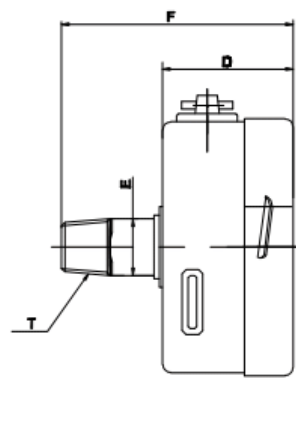
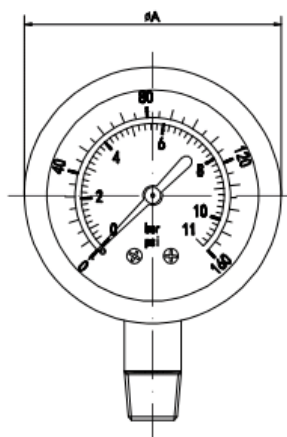
- Nominal size: 2.5" (63mm), 4.0" (100mm), 6.0" (160mm), 8.0" (200mm), 10" (250mm);
- Case: matted stainless steel case, bayonet lock ring;
- Process connection: 1/8" , 1/4" , 3/8" , 1/2" optional;
- Thread: NPT, BSP, BSPT optional;
- Pressure element: 316 stainless steel;
- Movement: 316 stainless steel;
- Dial: Aluminum, dial scale can be customized;
- Pointer: Aluminum, black or white;
- Window: tempered glass, safety glass;
- Accuracy class: 1.6%, 1%;
- Scale ranges: vacuum to 1000 bar (15000 psi);
- Pressure limitation: Steady: 3/4 x full scale value; Fluctuating: 2/3 x full scale value;
Short time: Full scale value;
- Permissible temperature: Ambient: -20 ... +60°C ; Medium: +60°C maximum;
- Temperature effect: When the temperature of the measuring system deviates from the reference temperature (+20°C): max. $\pm 0.4\%/10\text{ K}$ of the span;
- Welding: laser welding.



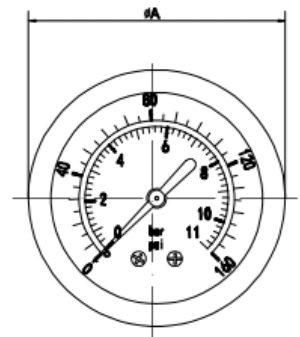
Installation Data



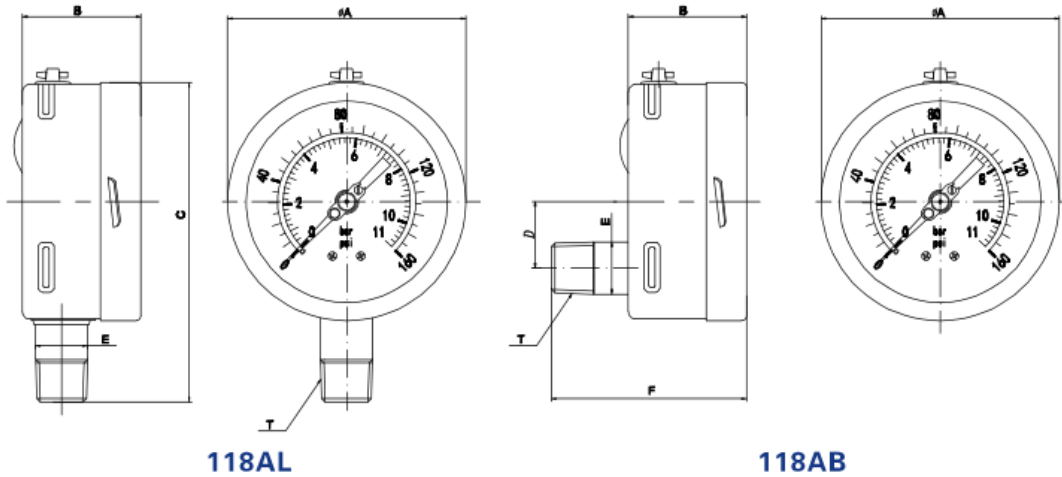
118AL



118AB



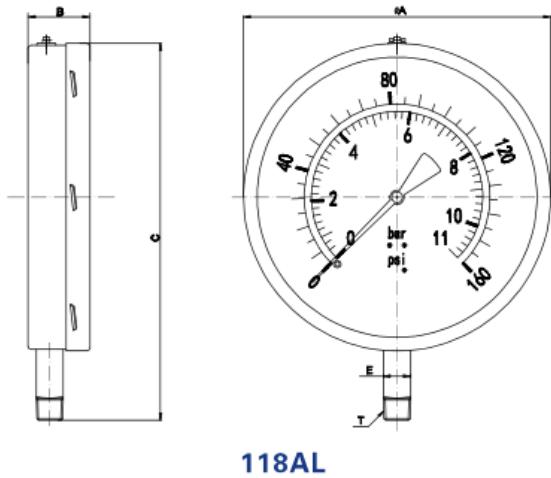
size	mm	A	B	C	D	E	F	T
63		63.5	32.0	87.5	32.0	14.0	57.5	1/4"



118AL

118AB

size mm	A	B	C	D	E	F	T
100	101.0	48.5	136.0	28.0	22.0	83.0	1/2"
160	160.0	49.5	200.0	28.0	22.0	86.5	1/2"
200	200.5	48.5	242.5	/	22.0	/	1/2"



118AL

size mm	A	B	C	E	T
250	249.0	50.0	305.0	22.0	1/2"

MODEL NUMBER

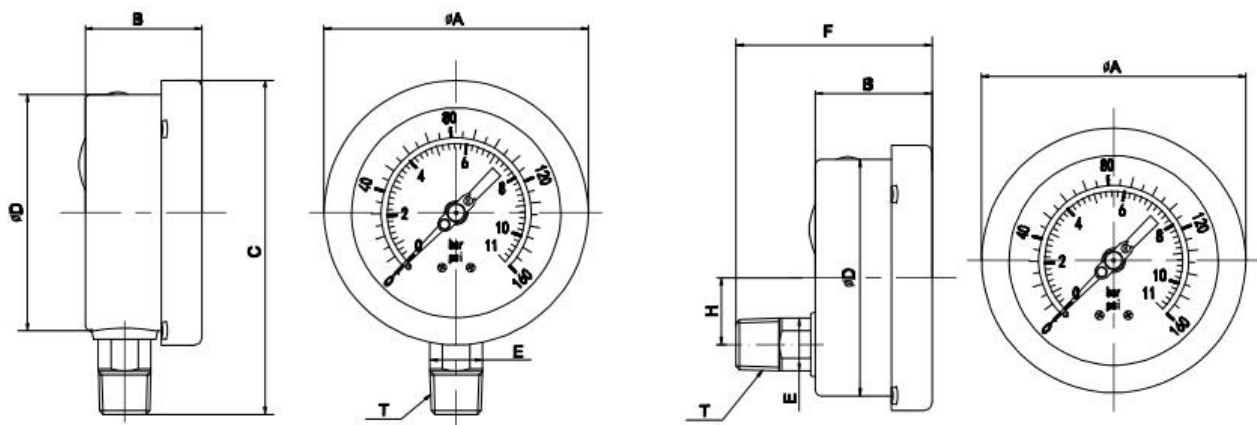
Part No.	Dial Size	Connection/Thread	Pressure Unit	Connection Entry	Range Optional
118AL	63	1/4 NPT optional	Bar/psi	bottom	vacuum to 1000 bar
118AL	100	1/2 NPT optional	Bar/psi	bottom	vacuum to 1000 bar
118AL	160	1/2 NPT optional	Bar/psi	bottom	vacuum to 1000 bar
118AL	200	1/2 NPT optional	Bar/psi	bottom	vacuum to 1000 bar
118AL	250	1/2 NPT optional	Bar/psi	bottom	vacuum to 1000 bar
118AB	63	1/4 NPT optional	Bar/psi	center back	vacuum to 1000 bar
118AB	100	1/2 NPT optional	Bar/psi	low back	vacuum to 1000 bar
118AB	160	1/2 NPT optional	Bar/psi	low back	vacuum to 1000 bar

Features

- Nominal size: 4.0" (100mm);
- Case: matted stainless steel case, bayonet lock ring;
- Process connection: 1/4" ,3/8" ,1/2" optional;
- Thread: NPT,BSP,BSPT optional;
- Pressure element: 316 stainless steel;
- Movement: 316 stainless steel;
- Dial: Aluminum, dial scale can be customized;
- Pointer: Aluminum, black or white;
- Window: tempered glass,safety glass;
- Accuracy class: 1.6%,1%;
- Scale ranges: vacuum to 1000 bar (15000 psi);
- Pressure limitation: Steady: 3/4 x full scale value; Fluctuating: 2/3 x full scale value;
Short time: Full scale value;
- Permissible temperature: Ambient: -20 ... +60°C ; Medium: +60°C maximum;
- Temperature effect: When the temperature of the measuring system deviates from the reference temperature (+20°C): max. $\pm 0.4\%/10$ K of the span;
- Welding: laser welding.



Installation Data



118AN-L

118AN-B

size	mm	A	B	C	D	E	F	H	T
100		111.0	48.5	140.0	99.0	22.0	80.5	28.0	1/2"